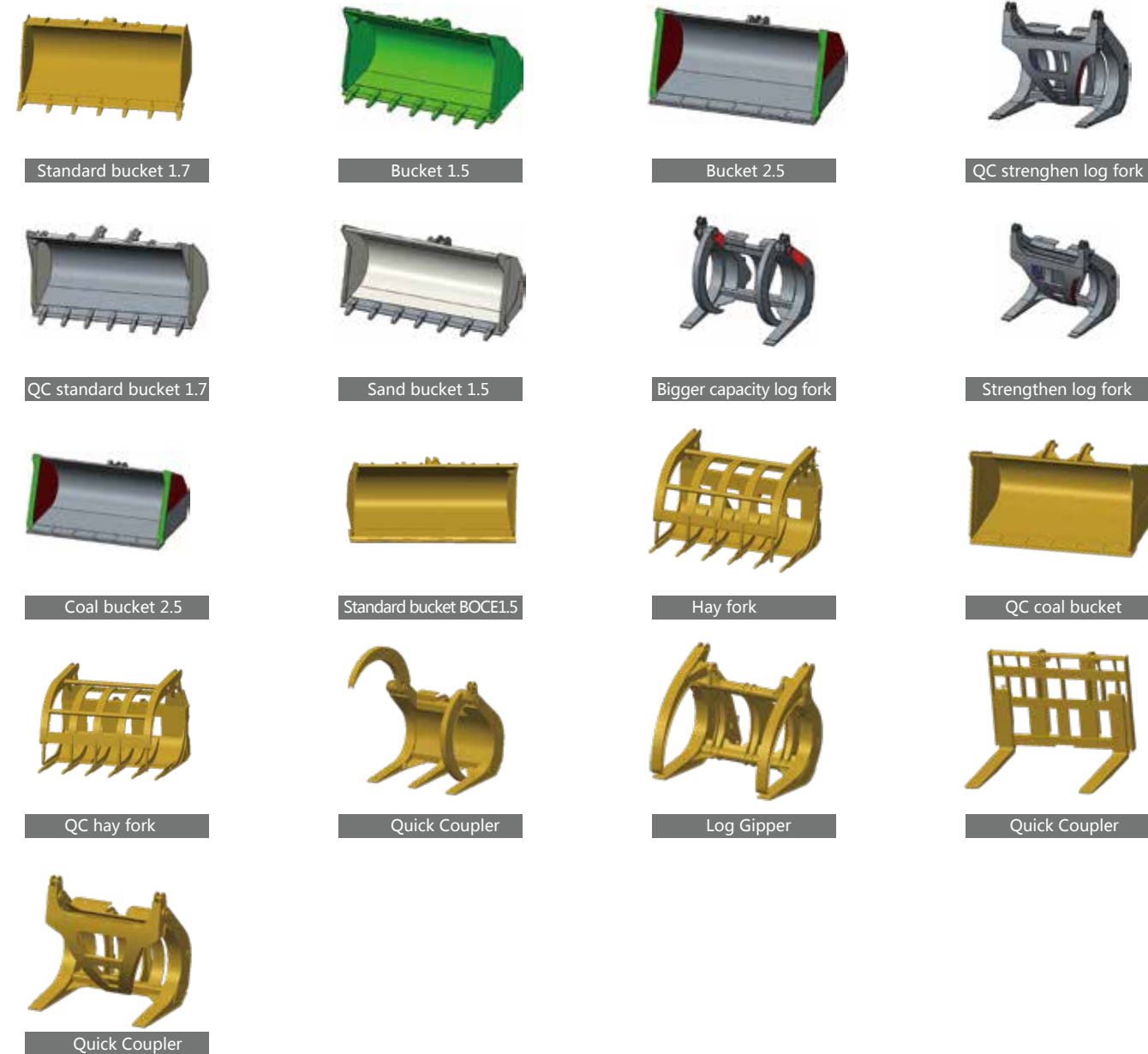


Machine Applications

- Multiple work tools are available for selection



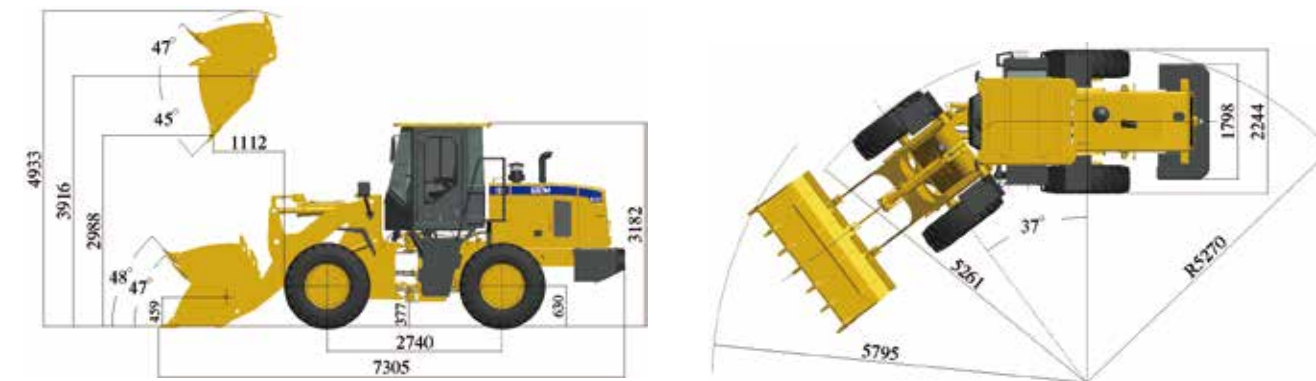
Work Tool Options



Main Specifications

Items	SEM636D		Items	SEM636D	
Main Specifications					
Rated Load	kg	3000	Engine		
Operating Weight with Standard Bucket	kg	9900	Model		Weichai WP6G125E22
Bucket Capacity	m ³	1.5-2.5	Rated Power	kW	92
Wheel Base	mm	2740	Rated Speed	r/min	2200
Overall Dimension	mm	7305*2354*3182	Displacement	L	6.754
Implement Hydraulic					
Operating Specifications					
Breakout Force	KN	113	Implement System Type		Gear pump
Dump Clearance	mm	2988	Boom Raise Time	s	4.65
Articulated Angle		37±1	Hydraulic Cycle Time	s	8.34
Transmission			System Pressure Setting	Mpa	18
Transmission Type					
		Countershaft,power shift	Service Brake		
Transmission Gears					
		F4/R2	Dry&caliper,air to oil control		
Torque Converter Type		Single stage 3 elements	*Drum type shoe brake, spring applied & oil released*		
Steering System					
Maker & Type		SEM TR100	Shared Flow		
Forward I/Reverse I		7.9/9.7	System Type		Gear pump
Forward II/Reverse II		14/31	Steering PumpType	Mpa	14
Forward III/Reverse III		25/NA	System Pressure Setting		14
Forward IV/Reverse IV		39/NA	Steering Angle (L/R)		37±1
Tires					
Axle					
			Size		17.5-25
Main Drive Type		Spiral bevel gear,single stage	Type		PR
Final Drive Reduction Type		Planetary type,single stage	Layer		12
Rear - Oscillating +/-		±12	Txtured Type		L-3

Machine Dimensions



► Note: the above dimensions are based on the standard configuration.

Caterpillar (Qingzhou) Ltd. Address: No.12999 Nanhuan Road,Caterpillar Industrial Park, Qingzhou City,Shandong Province, Zip Code: 262500 P.R.China
 © Materials and specifications are subject to change without notice. Featured machines in photos may include optional equipment. See your SEM dealer for available options.
 © 2017 Caterpillar (Qingzhou) Ltd. All Rights Reserved. SEM Machinery, SEM, their respective logos, trade dress as well as corporate and product identity used herein, are trademarks of Caterpillar (Qingzhou) Ltd. and may not be used without permission.
 Version: Version: May 2017 - Weichai II

SEM636D Wheel Loader



SEM636D

Product Advantage

- High Productivity
- Best-in-class Reliability and Durability
- Excellent Fuel Economy
- Outstanding Operator Comfort

Website <http://www.semmachinery.com>



Weichai Engine

- The air cleaner provides machine reliability even in the most severe applications



Efficient Hydraulic System

- Single pump flow shared system.
- More efficiency and larger breakout force
- Perfect match between machine speed and hydraulic system to achieve high efficiency
- Joystick hydraulic control for easy and precise control



Operator Station

- Premium operator station with big space and superior visibility
- Patented MAC mount provides less noise and more comfort
- Adjustable suspension seat
- Sliding side window and AC with fresh air circulation provide operator comfort
- Single lever shifting is flexible and convenient
- Adjustable air flow outlet delivers better defrost performance



Reliable Drivetrain

- Countershaft transmission with upgraded core components provides high reliability
- Large rim-pull in 1st gear and higher speed in 2nd gear provide high efficiency for load and carry applications
- Clutch cutoff selection switch ensures stable and safe operation
- simply Torque convert and efficiency is high
- Shift smooth and comfortable



Advanced Cooling System

- High efficiency cooling package
- Shock pad mounts ensure reliability under severe applications



Solid Structure

- Structures undergo Finite Element Analysis (FEA) and On Machine Stress Analysis (OMSA) to ensure durability
- Performance Series (PS) buckets improve loading capability



Serviceability

- System pressure test ports are standard
- Big angle engine hood side open door provides easy service access
- Torque converter is isolated from transmission making it easy to service



Safety

- Safety design complies with all regulatory requirements
- Caterpillar Production System (CPS) leveraged in manufacturing process
- 3-point touching design provides convenient operator entering to cabin
- Backup alarm ensures machine safety

